

ADJUSTING HANDREST

NOTE: Refer to the INSTALLATION WARNINGS in the SAFETY SUMMARY of this user manual page 2.

Using the handle lock you can draw the handle tube up and down to the desired height, as shown in Figure 4.

BAG CLEANING

Clean the bag with water or soft cleaner.

CARE AND MAINTENANCE

1. Ensure that **ALL** attaching hardware is secured at **ALL** times.
2. Check screw to secure folding bar is locked. If not, tighten if necessary.
3. Check the handle lock clip is fully snapped in the regulating hole.
4. Replace any broken, damaged or worn items immediately.

CARE OF WHEELED ACCESSORIES

1. Clean wheels with warm water and mild cleanser. Dry with clean rag.
2. Lubricate with 3-in-1 oil periodically or if wheels begin to squeak.

USING BRAKES

1. To lock the rollator, push the brake bar down till it's locked in place as shown in Figure 6.
2. To release the brake, pull brake bar up to release the brake, then the rollator is rolling freely

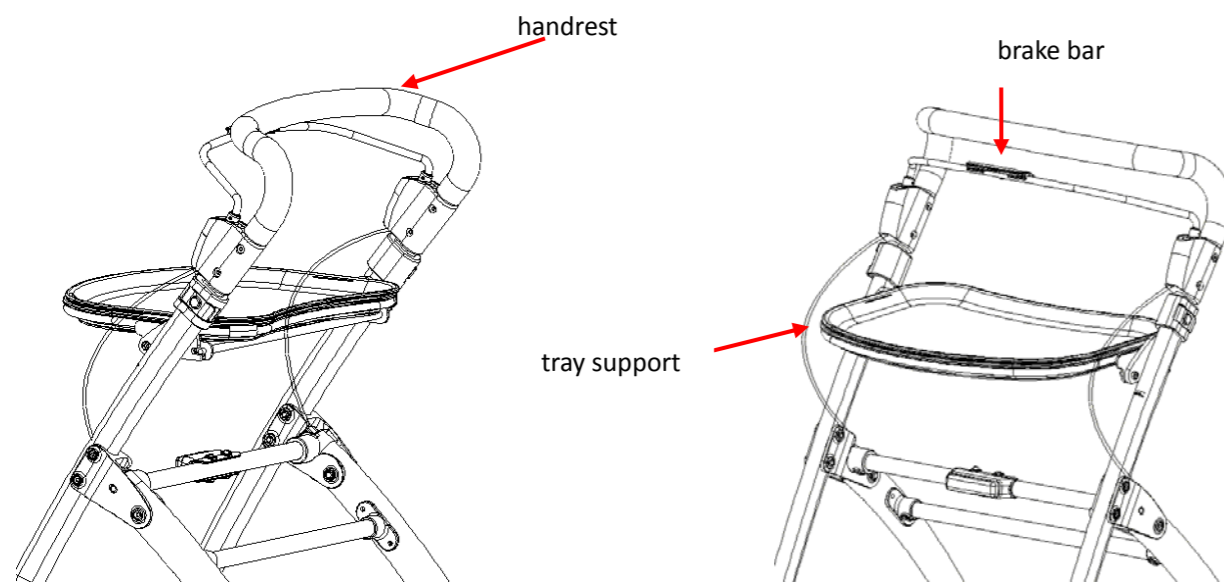


Figure 5

Figure 6

USING TRAY

Ensure the tray is well installed with the in-door walker before using. If not installed, follow the steps to re-fit.

NOTE: Check all parts for shipping damage. In case of shipping damage, Do NOT use. Contact the Dealer you purchased the in-door walker from for further instruction.

SAFETY SUMMARY

To ensure the safe operation of the **ELLIPSE IN-DOOR WALKER**, these instructions **MUST** be followed:

GENERAL WARNING

DO NOT install or use this equipment without first reading and understanding this user manual. If you are unable to understand the Warnings, Cautions or Instructions, contact a healthcare professional, dealer or technical personnel before attempting to install this equipment – otherwise, injury or damage may occur. Each individual should always consult with their physician or therapist to determine proper height adjustments and usage.

Always ensure handrest tubes are locked into position by the handle locks.

Care should be taken to ensure that **ALL** hand and height adjustments are secure and that castors and moving parts are in good working order before using.

GENERAL WARNING

All wheels **MUST** be in contact with the floor at **ALL TIMES** during use. This will ensure the in-door walker is properly balanced. The brakes **MUST** be in the locked position **BEFORE** using the in-door walker in a stationary position.

STABILITY WARNING

The in-door walker can provide ambulatory assistance to an individual weighing up to 100kg, INCLUDING the weight of the contents of the bag. The bag has a weight limitation of 5kg.

The tray has a weight limitation of 5kg.

UNFOLDING OR ASSEMBLING WARNING

Ensure that all castor wheels are in full contact with the floor before and after unfolding or assembling in-door walker, and handrest is adjusted to the suitable position.

ASSEMBLING WARNING

Always test to see that the in-door walker and attachments are properly and securely locked in place **BEFORE** using.

PRODUCT FEATURE

- Easy to attach and remove bag
- Easy-to-fold, store and transport.
- Adjustable height handrest
- Easy to operate hand brake bar
- Convenient carry tray

INTENDED USE

Assisting the elderly to walk in-doors

SPECIFICATIONS

Max. User Weight	100kg
Overall Depth	66cm
Overall Width	54.8cm
Overall Height	90.3~96cm 3 adjustments
Tray Depth	29cm
Tray Width	39cm
Tray Height	68cm
Front/ Rear Wheel Size	7"
Brake Method	Press down Hand brake Bar
Tray max load	5kg
Bag max load	5kg



Figure 1

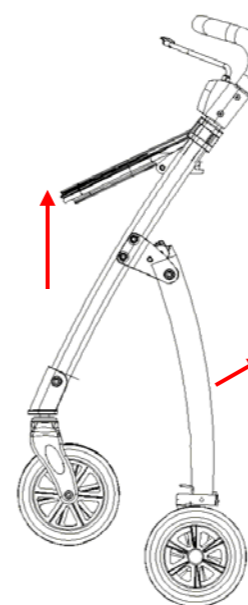
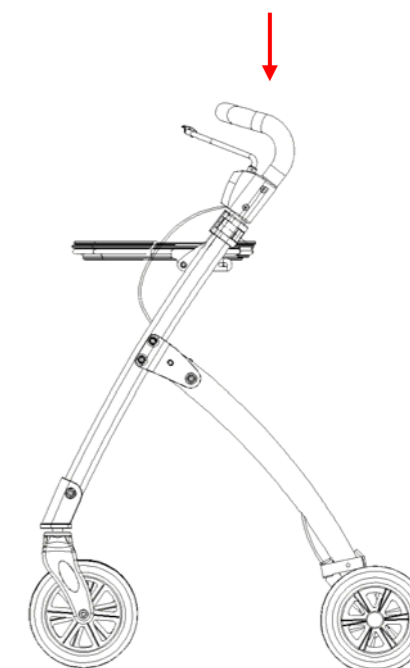


Figure 2



FOLDING

1. Grasp the folding bar, as shown in Figure 3, unfasten the tray.
2. Hold the handle with one hand; hold the frame folding bar with the other hand and lift. The indoor walker will fold as shown in Figure 4.

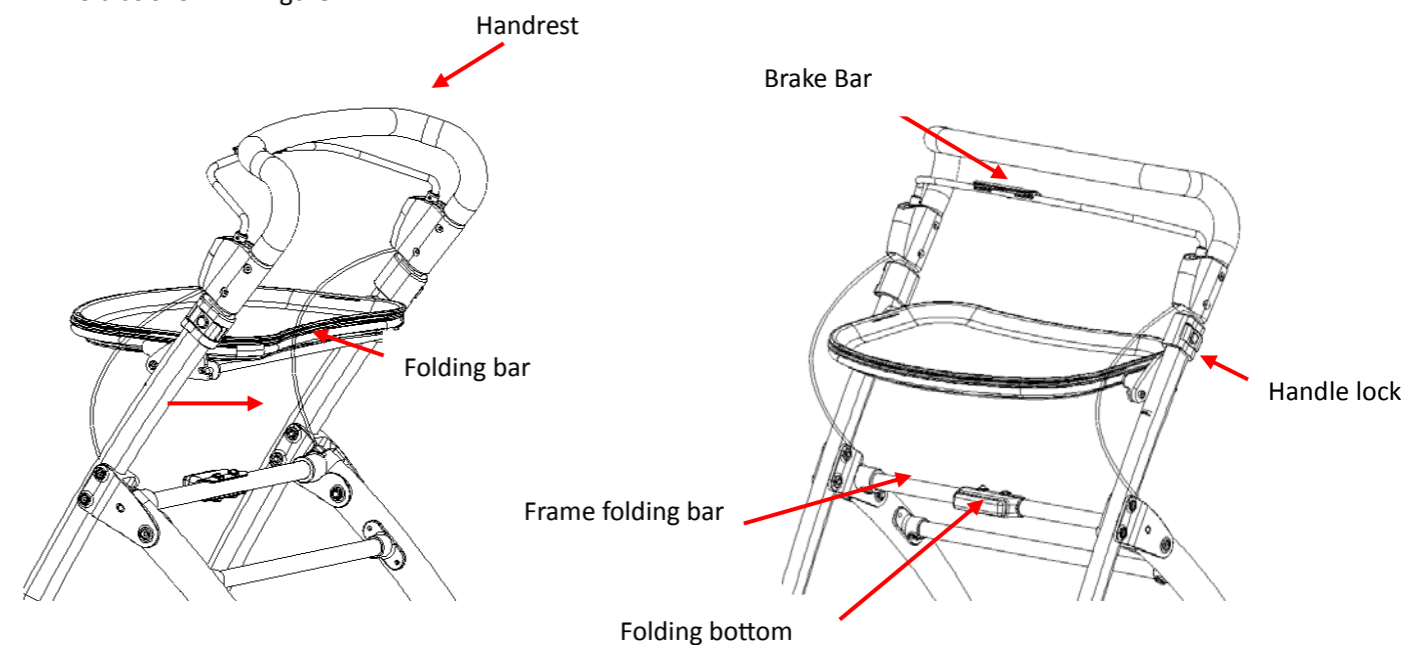


Figure 3

Figure 4

OPENING/FOLDING THE IN-DOOR WALKER

NOTE: Refer to the FOLDING/ASSEMBLY WARNINGS in the SAFETY SUMMARY of user manual page 2.

The figures are without bag for simpler illustration

OPENING

1. Take the in-door walker out of the carton and put it upright on the floor. Support the handle with one hand and hold the front edge of the tray with the other hand, pull the tray in the direction as shown in Figure 1. The tray is in place when you hear a clear “click” sound.
2. Support the handle with one hand and press on the tray with the other hand to the direction as shown in Figure 2. This will lock the rear legs into place as evidenced by a “click” sound.