

Oxford[®] Up

Safe and efficient standing,
transfers and rehabilitation



Oxford® Up

Simple and safe

The Oxford Up is a uniquely designed manual stand-aid and transfer device, suitable for those who require assistance when standing but are able to contribute effort to the process. By encouraging user participation, the Up can play a supportive role in patient rehabilitation, function, and independence.

Key Features

- Safe Working Load 200kg / 31st / 440lbs
- Disassembles for easy storage and transportation
- Adjustable legs for access around furniture
- Contoured swing-away seat pads
- Ergonomic design considerations
- Compatible sling offer for additional support

- A** Multi-point Caregiver Push Handle
- B** Patient Hand-hold Bar
- C** Attachment Point for Compatible Clip Slings
- D** Contoured Swing-away Seat Pads
- E** Soft Moulded Knee Pad
- F** Leg Adjustment Foot Pedal
- H** Braked Rear Castors (100mm)
- G** Base / Footplate with Non-slip Overlay
- I** Swivel Front Castors (75mm)



Disassembles for storage and transportation

The Up can be quickly and easily disassembled into three components to ease storage and transportation requirements. Its compact footprint when disassembled enables it to fit comfortably into the boot of most family saloons.

Reassembly is straightforward and can be completed in under one minute, without the need for tools.





Adjustable Leg Opening

The legs can be opened and closed to help navigate around bulky furniture such as commode frames and armchairs. This enables closer and safer access for the patient and better ensures good posture and positioning during use.



Contoured swing-away seat pads

Padded and shaped for comfort, each seat pad rotates outwards to allow unobstructed access for the patient when standing.

Ergonomic design considerations

The Up has been designed with the five key principles of moving and handling in mind. This direct correlation ensures Oxford products are intuitive, safe and comfortable to use.

- 1 Get close to the load
- 2 Use a wide stable base
- 3 Ensure a comfortable firm grasp
- 4 Keep spine close to neutral
- 5 Make sure movement is smooth



Soft moulded knee pad for comfort



Foot push pad helps initiate forward momentum when loaded



Contoured, multi-point push handle and patient hand-hold bar

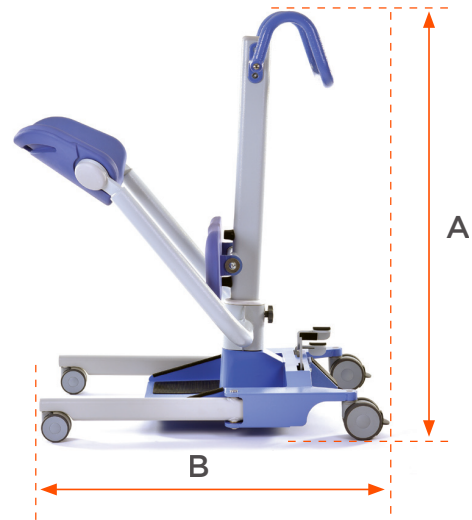


Oxford Deluxe Standing Sling with Clips

Can be used to provide additional seated support and reassurance during transfer.



Product Dimensions



Technical Specifications

Safe Working Load	200 kg (31 st)
Overall Height (A)	1093mm
Overall Length (B)	960mm
Overall Width (C)	633mm
Legs Open - External Width (D)	840mm
Legs Open - Internal Width	720mm
Legs Closed - External Width (E)	585mm
Legs Closed - Internal Width	470mm
Leg Height	105mm
Knee Pad Height (Footplate to top of pad)	480mm
Foot Plate Height	37mm
Ground Clearance	17mm
Turning Radius	1100mm
Front Castors	75mm
Rear Castors (Braked)	100mm
Intended Operating Environment	+5°C to 40°C

Weights

Base	20kg
Seat Support Tubes	9.5kg
Mast	4.5kg
Total	34kg

CODE: TM0600

DISPLAY NAME: Oxford Up 200

TGA NUMBER: ARTG 397217

Testing Standards

The Oxford® Up is fully compliant with the following standards and directives:

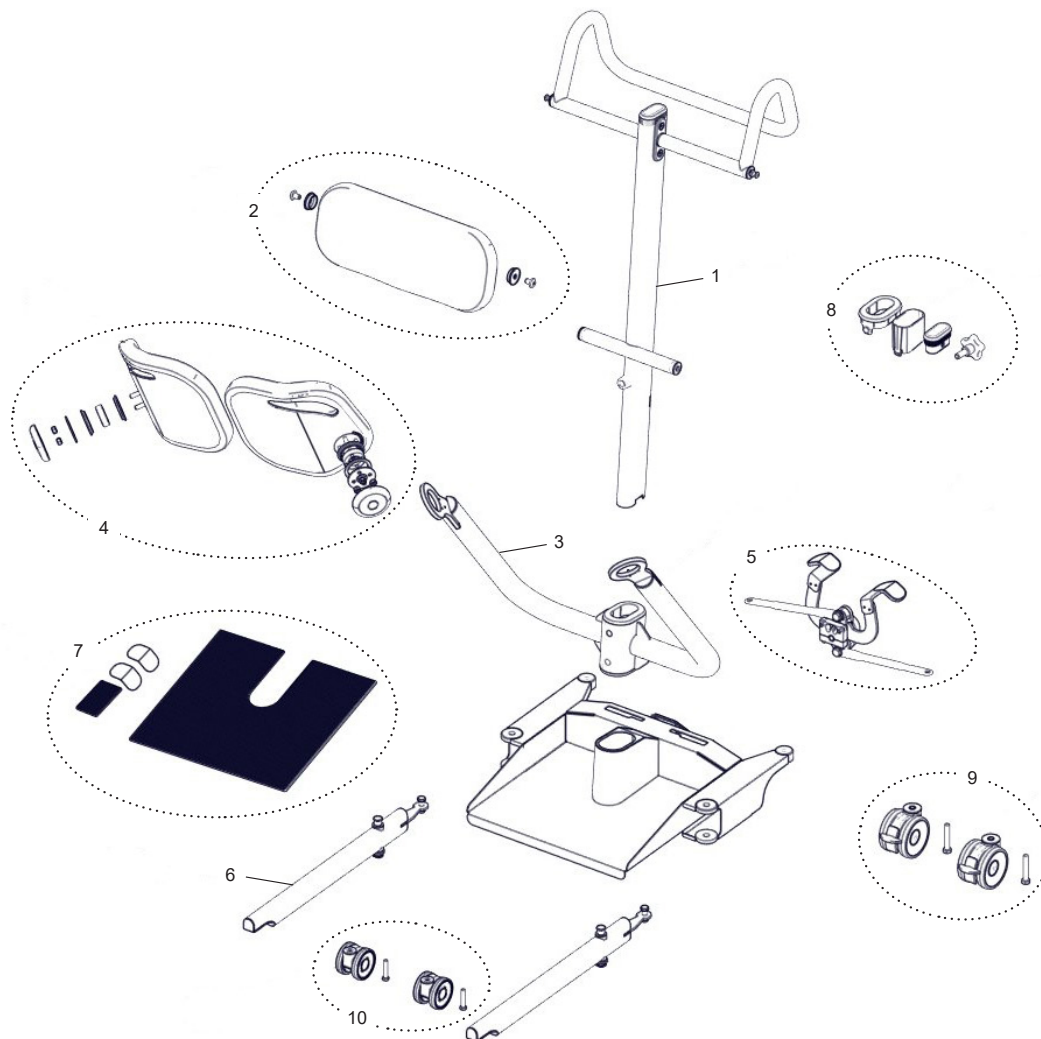
- ISO 10535
- BS EN 12182

Warranty

Please reference the user manual or contact your authorised representative for details.

Spare Parts

NO	ENABLE CODE	DESCRIPTION	QTY
1	ST3970	Mast Assembly	1
2	ST3971	Knee Pad (Including Fixings)	1
3	ST3972	Seat Post Assembly with Mast Inserts	1
4	ST3973	Seat Pads - Left & Right Hand (Including Fixings)	1
5	ST3974	Foot Pedal Assembly (Including Fixings)	1
6	ST3975	Leg Assembly (Single)	1
7	ST3976	Rubber Pads (Foot Tray, Pedals and Push Pad)	1
8	ST3977	Plastic Moulded Parts (Including Locking Knob)	1
9	ST3978	Rear Castors (Braked) (Including Fixing) (Pair)	2
10	ST3979	Front Castors (Including Fixing) (Pair)	2
N/S	ST3980	Decal Set (Not Shown)	1



NOTES

A series of horizontal dotted lines for writing notes.

NOTES

A series of horizontal dotted lines for writing notes.



At Enable we source quality, affordable and innovative products globally and have them available for fast delivery. But we do more than just provide products.

We give the knowledge and support to help our customers grow their business and deliver better life care.



ENABLE LIFECARE PTY LTD

T 1300 370 370

enablelifecare.com.au